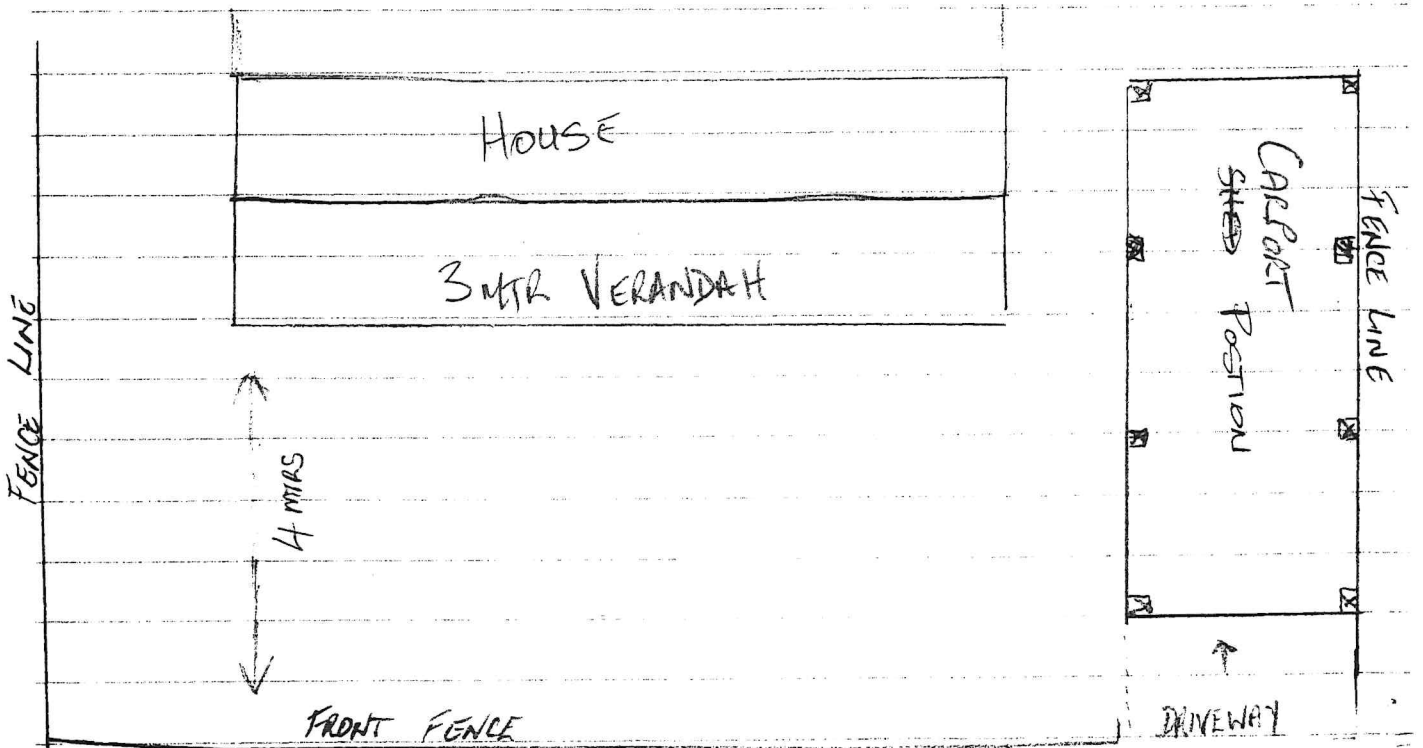
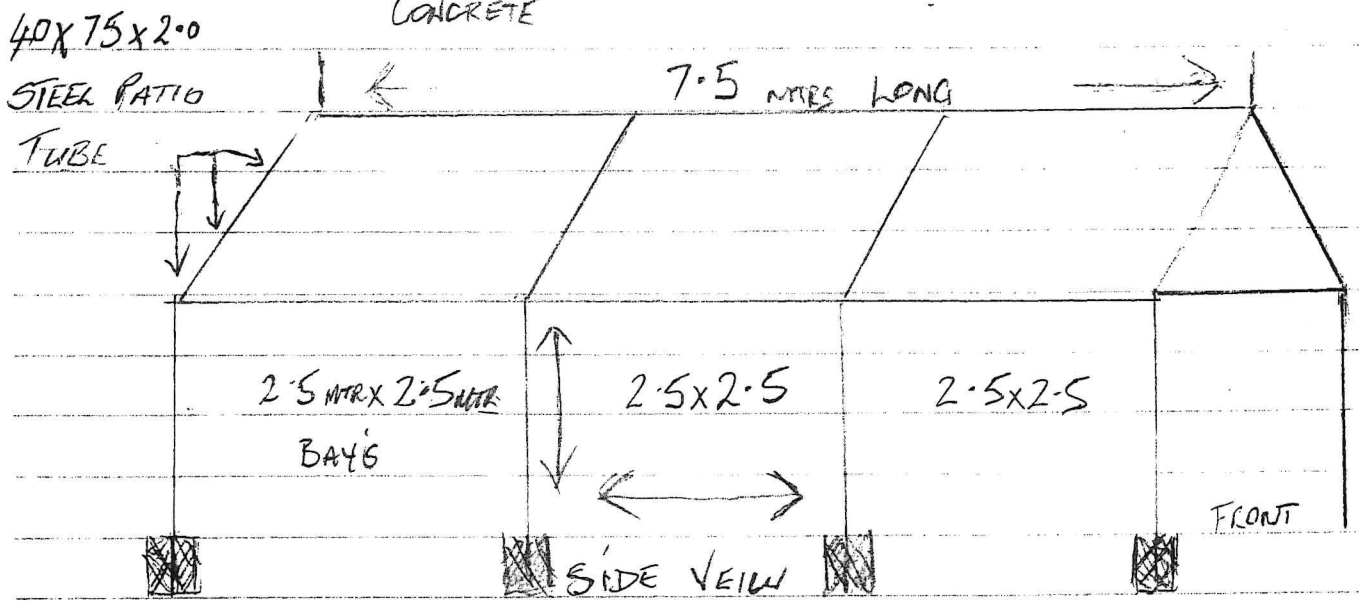
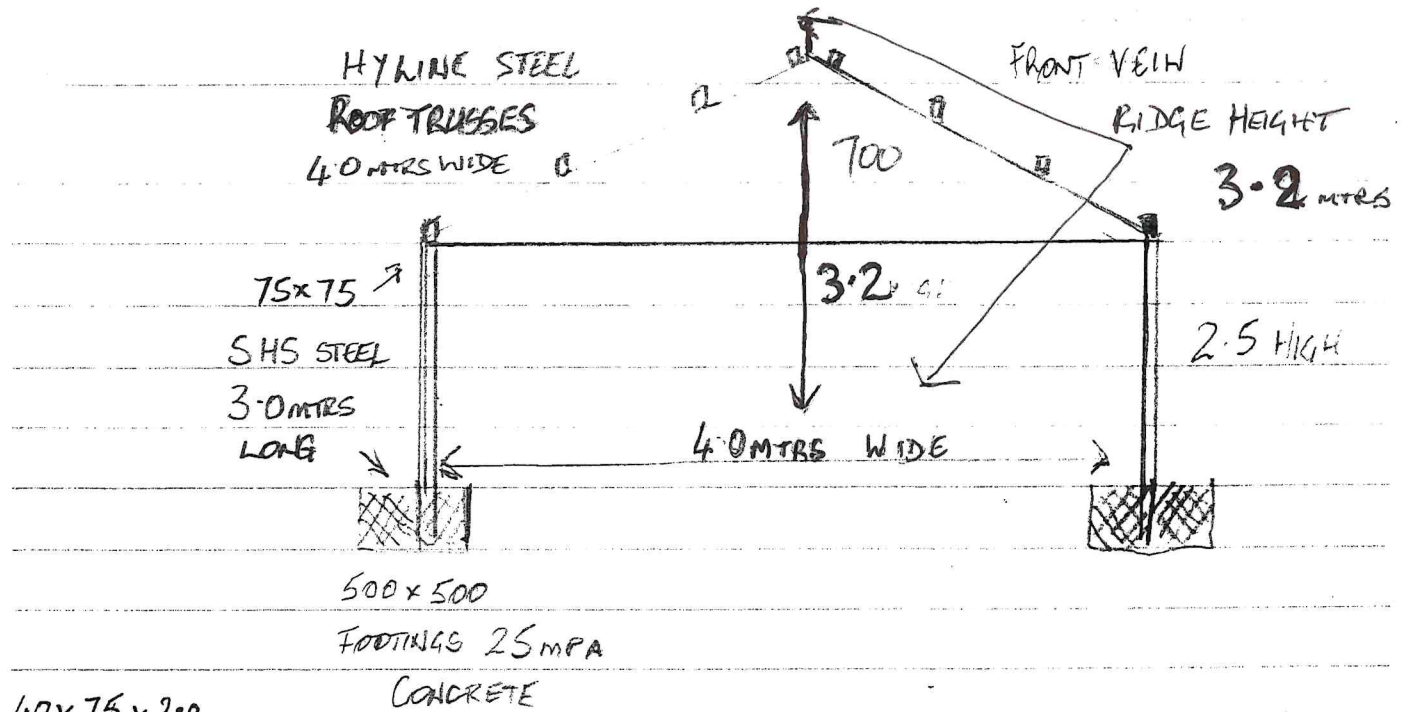


55 MILDURA ST NORSEMAN

KEVIN HINDMARSH



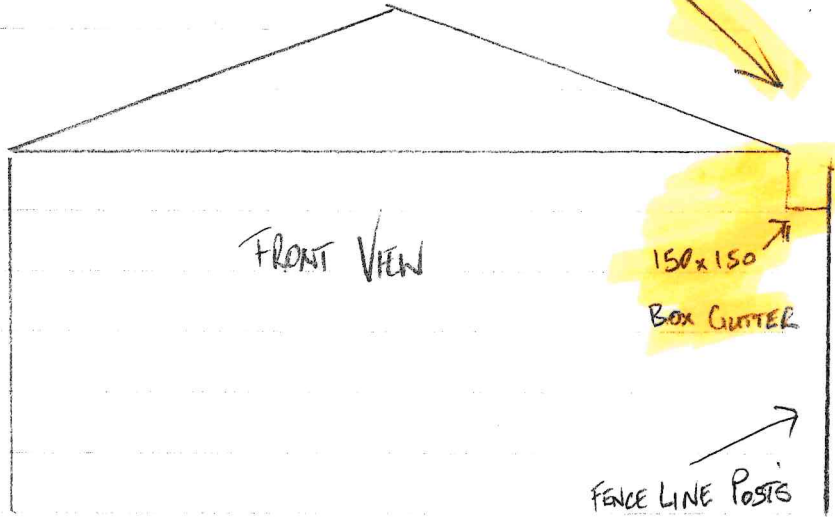
↑
NORTH

NO WATER TO ENTER NEXT PROPERTY

1 BACK SET FROM FENCE
1 METRE 160mm

2 BACK SET FROM FOOTPATH
1 METRE 300mm

3 BACK SET FROM MILDURA STREET
20 METERS



House

4 1.8 METERS FROM HOUSE

FENCE + GATE

4

1.800

CARPORT

3 METRE VERANDAH



4 METERS

← FENCE LINE

1

1.160

2

1300

3

20 METERS

FENCE LINE

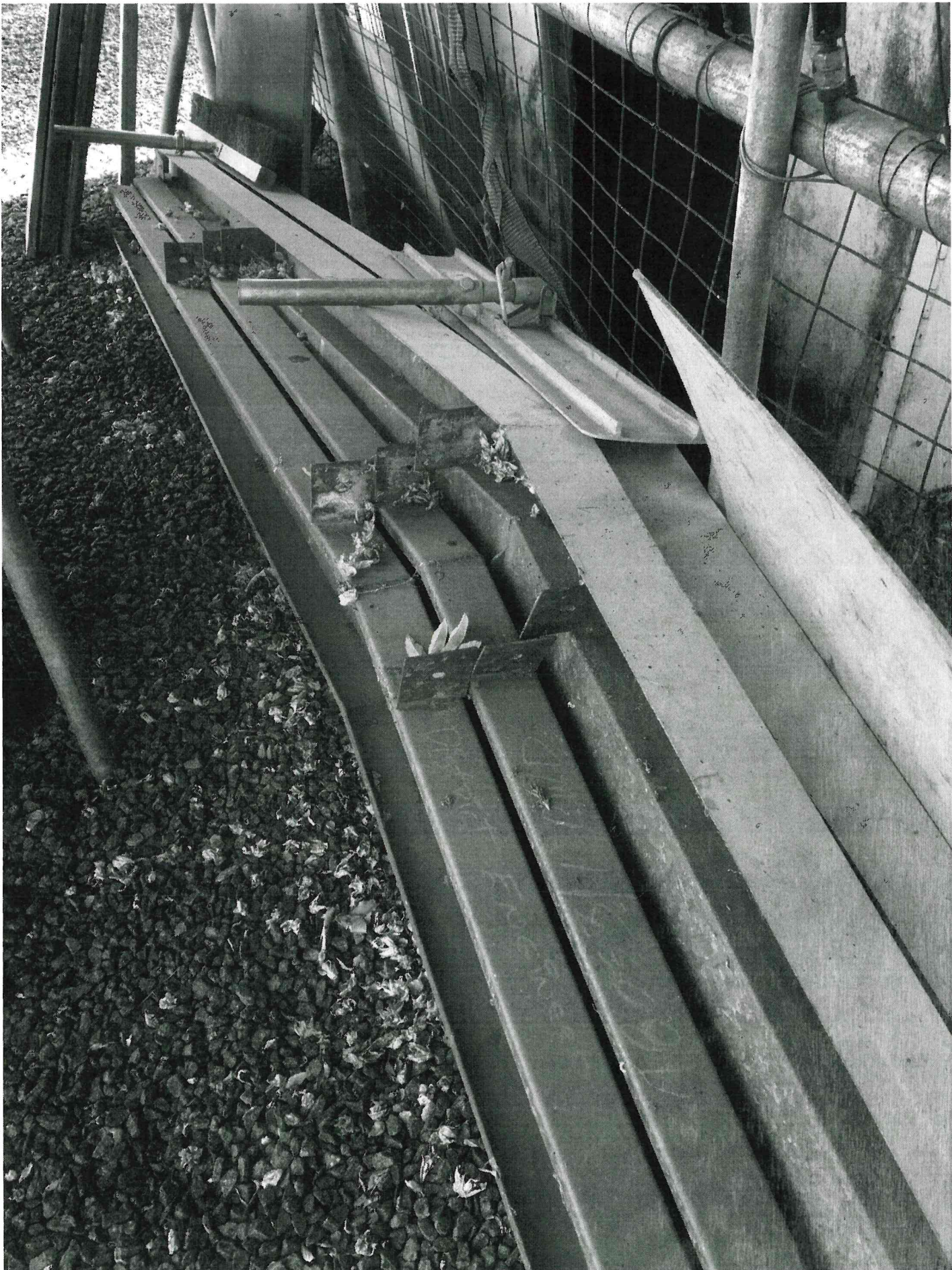
XXXXXXXXXXXXXXXXXXXX FOOT PATH

FOOT PATH

DRAIN

DRAIN

MILDURA STREET





MATERIALS

M 10 x 50 GALVANISED CUP HEAD BOLTS - PATIO TUBE

M 12 x 90 GALVANISED CUP HEAD BOLTS - TRUSSES

12-14 x 50 AUTO TEKS WITH SEAL - WALL SHEETS

12-14 x 65 AUTO TEKS WITH SEAL - ROOF SHEETS

COLOR BOND WALL SHEETS 0.42 x 2.5 LONG x 840 WIDE x 762 COVERAGE

COLOR BOND ROOF SHEETS 0.42 x 2.0 LONG x 840 WIDE x 762 COVERAGE

8 x SQUARE HOLLOW SECTIONS 75 x 75 x 3^{MM} THICKNESS x 3^{MTR} LENGTHS

MAIN POSTS

6 x 40 x 75 x 20^{MM} RECTANGLE PATIO TUBE - ROOF PURLINS