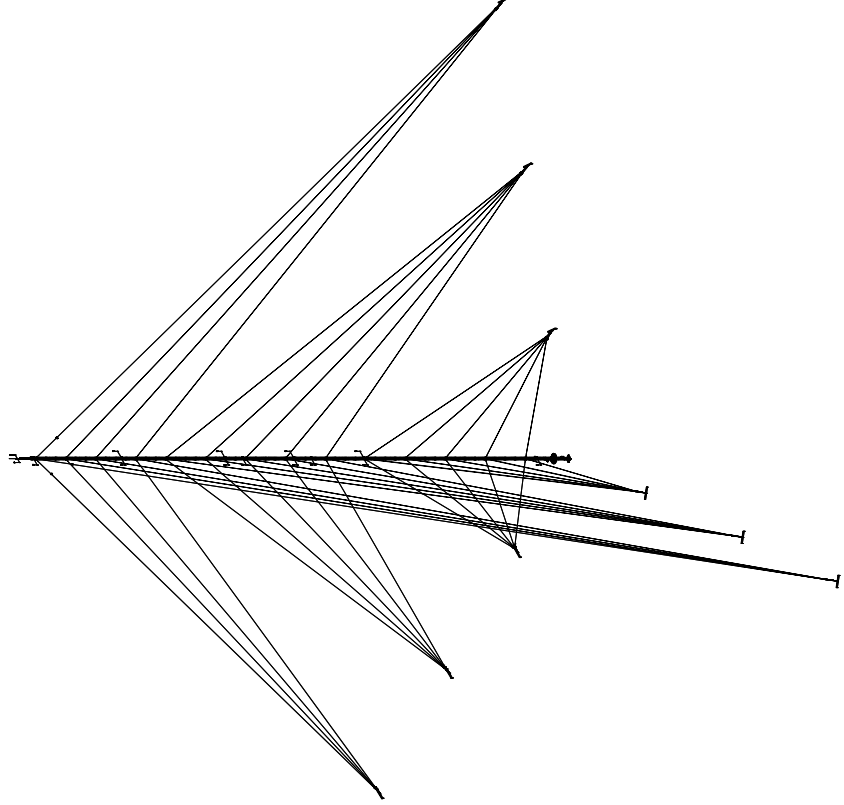




CLIENT: WESTERN GREEN ENERGY HUB
SITE: WGEH EUCLA, WA
MAST NAME: WGEH03
COORDINATES: UTM S 52 J: 293457.123,6488012.945
 dd.ddddd°: -31.72469°N, 126.820054°E
DESCRIPTION: 160m (NOM.) TEMPORARY GL55-36 GUYED LATTICE MAST
WIND REGION: A5
TERRAIN CATEGORY: 2
STRUCTURAL IMPORTANCE: LEVEL 1
 AS3995-1994 & AS1170.2-2021

DRAWING REGISTER	
SHEET TITLE	SHEET No.
TITLE SHEET & DRAWING REGISTER	1/10
GENERAL NOTES	2/10
MAST PLAN	3/10
MAST ELEVATION	4/10
MAST ANCILLARY DETAILS	5/10
MAST FOOTING DETAILS - CAST IN-SITU	6/10
MAST FOOTING DETAILS - ROCK ANCHOR	7/10
EARTHING DETAILS	8/10
FENCING DETAILS	9/10
FALL ARREST DETAILS	10/10



1 ISOMETRIC VIEW
 S-01

NOTES



REV	DESCRIPTION	DATE
00	ISSUED FOR CONSTRUCTION	10/05/23



119-125 QUARRY ROAD
 MURWILLUMBAH, 2484, NSW
 (02) 6672 6200
 admin@artowers.com.au
 australiaradiotowers.com

THIS DOCUMENT AND ALL INTELLECTUAL PROPERTY ASSOCIATED ARE PROPRIETARY AND CONFIDENTIAL TO ART GROUP. ANY REQUEST TO COPY OR REPRODUCE THIS DOCUMENT WITHOUT WRITTEN APPROVAL FROM ART GROUP WILL BE PROSECUTED TO THE FULL EXTENT OF THE LAW.

CLIENT



PROJECT
 WGEH, EUCLA, WA
 WGEH03 160M(NOM.) MET MAST
 GL55-36 GUYED LATTICE MAST
 TEMPORARY DEPLOYMENT

SHEET TITLE
 TITLE SHEET & DRAWING REGISTER

STATUS
FOR CONSTRUCTION

SCALE PLOTTED AT A3
 N.T.S.
THIRD ANGLE PROJECTION

DRAWN CG
CHECKED HY
APPROVED LG
COORDIN LG

DRAWING NUMBER
 ART-22439-DRG-0001
SHEET
 1 / 10

WGEH03 Mast Drawings

GENERAL NOTES

- ALL MOST STEELWORK COMPONENTS, ASSEMBLIES AND PARTS CALLED OUT ON DETAILS, SECTIONS AND BILL OF MATERIALS ARE THE PROPRIETARY PRODUCTS OF ART GROUP UNLESS NOTED OTHERWISE (U.N.O.). COMPLETE DETAILS AND INFORMATION OF ART GROUP PRODUCTS SHOWN ON PRODUCTION SHOP DRAWINGS.
- ALL DIMENSIONS TO BE CHECKED ON-SITE PRIOR TO CONSTRUCTION.
- DO NOT GET DIMENSIONS BY SCALING DRAWINGS.
- ALL WORKMANSHIP PERFORMED AND MATERIALS USED SHALL BE AS PER THE CURRENT AUSTRALIAN STANDARDS, THE BY-LAWS, AND ORDINANCES OF THE RELEVANT BUILDING AUTHORITY.
- ALL BOLTS ARE GRADE 8.8 STRUCTURAL ASSEMBLIES SUPPLIED WITH NUT AND WASHER U.N.O.
- ALL BOLTS TO BE SNUG TIGHTENED U.N.O.
- MAINTAIN STABLE CONDITIONS OF STRUCTURE DURING CONSTRUCTION AND DO NOT OVER STRESS ANY PART DURING CONSTRUCTION.
- PROVIDE "HELICOIL GRIP" OR "FAN WRAP" AT TERMINATION OF ALL GUY WIRES.
- INSTALL LAP-SAF FALL ARREST SYSTEM AS PER MANUFACTURERS SPECIFICATIONS.

LOCATION

- THE MAST LOCATION AND PROXIMITY TO PUBLIC ROADS, BUILDINGS AND OTHER INFRASTRUCTURE IS THE RESPONSIBILITY OF THE CLIENT AND RELEVANT LOCAL COUNCIL, STATE AND FEDERAL AUTHORITIES, UNLESS OTHERWISE STATED. ART IS NOT RESPONSIBLE FOR THE FINAL LOCATION IN REGARD TO COMPLIANCE WITH RELEVANT LOCAL COUNCIL, STATE AND FEDERAL AUTHORITIES.

EARTHING

- UNLESS OTHERWISE SPECIFIED ART IS NOT RESPONSIBLE FOR THE SITE EARTHING SYSTEM COMPLIANCE TO AS/NZS 1768-2021 Cl 3.5.3 (EARTHING RESISTANCE RECOMMENDED VALUES) AS WELL AS THE PROVISION OF GEOTECHNICAL AND SOIL RESISTIVITY SURVEY DATA.
- THE METAL GUY WIRES ARE CONSIDERED ADEQUATELY EARTHED AS THEY ARE ATTACHED TO BURIED STEEL ANCHOR RODS SET IN EARTH (REFER TO AS/NZS 1768-2021 Appendix 1.5.1)
- THE TOWER METALLIC STRUCTURE IS CONSIDERED A NATURAL DOWN CONDUCTOR AND REQUIRES NO ADDITIONAL DOWNCONDUCTOR (REFER TO AS/NZS 1768-2021 Cl 3.3.3)

STEEL ERECTION

- MAST INSTALLATION DESIGNED FOR GIN-POLE OR CRANE ERECTION.
- FOR CRANE LIFTS ASSEMBLED SECTIONS MUST NOT EXCEED 40m IN A SINGLE LIFT UNLESS TWO CRANES ARE USED IN A DUAL LIFT CONFIGURATION.
- FOR GIN-POLE LIFTS ONLY ONE SECTION AT A TIME TO BE RAISED WITH GIN-POLE.

FOOTINGS & FOUNDATIONS

- REMOVE ALL TOPSOIL AND UPPER STRATA CONTAINING ORGANIC MATTER FOR ALL FOOTINGS.
- IF MATERIAL ON-SITE IS NOT SUITABLE FOR STANDARD COMPACTION SPECIFICATION, THEN IMPORTED FILL OR BACKFILL SHALL CONSIST OF APPROVED MATERIAL INSTALLED AS PER COMPACTION SPECIFICATIONS.
- GROUND COLLAPSE CONTROL MEASURES SHALL BE USED WHERE GROUND COLLAPSES MAY OCCUR BY APPLYING EITHER SHORING, BENCHING AND OR BATTERING. LOCAL VHS CODE OF PRACTICE SHALL BE ADHERED TO.

GUY ANCHOR COMPACTION SPECIFICATIONS

- THE LEVEL OF TOLERANCE OF GUY ANCHOR FOOTINGS MAY VARY (HIGHER/LOWER) WITHOUT ENGINEERING REVIEW MAINTAINING NOMINATED GUY ANCHOR ANGLES AS SPECIFIED BY THE STRUCTURAL ENGINEER.
INNER FOOTING: 3.0m
INTERMEDIATE FOOTING: 6.0m
OUTER FOOTING: 6.0m
- EXCAVATE ANCHOR PIT AND INSTALL STEEL ANCHOR BEAM, ANCHOR ROD AND ATTACHMENTS AS SPECIFIED IN DETAILS AND INFORMATION PROVIDED ON STRUCTURAL DRAWINGS.
- CLAYS OR SILTS (BASED ON $\phi=20^\circ$ AND $C_u=20kPa$) OR COMPACTABLE SANDS (BASED ON $\phi=32^\circ$ MIN.) CAN BE USED AS FILL MATERIAL. MINIMUM SOIL PROPERTIES ARE AS STATED ABOVE UNLESS A GEOTECHNICAL REPORT IS PROVIDED IN WHICH CASE SPECIFIC SELECT FILL PARTICLES SIZE AND SHAPE IS TO SUIT COMPACTED LAYER THICKNESS AS PER THE GEOTECHNICAL REPORT SPECIFICATIONS.
- Achieve adequate compaction by providing a compacted density equal to a controlled fill classification as defined in AS2870. PLACE FILL IN LAYERS NO GREATER THAN 150mm WHEN COMPACTED. ACHIEVE REQUIRED COMPACTION BY MECHANICAL TAMPING SUCH AS COMPACTION BY RODDING, VIBRATING PLATE, SMOOTH DRUM ROLLER ATTACHED TO A BACKHOE/EXCAVATOR, OR WALK BEHIND WHACKER PACKER.
- ANGLE OF ANCHOR ROD SHOWN ON GUY ANCHOR FOOTING SCHEDULE REFERS TO PRETENSION FORCE BEING APPLIED TO GUY-WIRES AND RE-COMPACTION OF

CONCRETE

- ALL WORKMANSHIP PERFORMED AND MATERIALS USED ARE AS PER AS3600, AS1379, AS1479.
- MAST CONCRETE WITH COMPRESSIVE STRENGTH F'C 32MPa AS DEFINED IN AS1379.
- MAST BASE FOUNDATION: CONCRETE COVER OF 75mm MIN. TOP, BOTTOM AND SIDES.
- GUY ANCHOR FOUNDATION: MIN. 50mm CONCRETE COVER AROUND THE STEEL ANCHOR BEAM; FOR TOTAL CONCRETE DEPTH REFER TO GUY ANCHOR FOOTING SCHEDULE.
- NO HOLES OR CHASES OTHER THAN THOSE SHOWN ON THE STRUCTURAL DRAWINGS MADE IN CONCRETE MEMBERS WITHOUT THE WRITTEN APPROVAL FROM THE STRUCTURAL ENGINEER.
- REINFORCEMENT SYMBOLS:
N - GRADE 500 NORMAL DUCTILITY DEFORMED BAR. THE NUMBER FOLLOWING THESE SYMBOLS INDICATES BAR DIAMETER IN MILLIMETRES U.N.O.
REINFORCEMENT TO COMPLY WITH AS4671.

STEEL WORK

- ALL WORKMANSHIP PERFORMED AND MATERIALS USED ARE AS PER AS4100 AND AS1554. EXCEPTION MAY BE PERMITTED ONLY WHERE AS VARIED BY APPROVED CONTRACT DOCUMENTS.
- UNLESS NOTED OTHERWISE, THE FOLLOWING STEEL GRADES YIELD STRENGTH APPLY TO MAST SECTIONS:
MAST CORD (LEGS) 500 MPa
MAST WEBBING 300 MPa
PLATES 250 MPa
- WELDED CONNECTIONS BETWEEN STRUCTURAL MEMBERS ARE 6mm CONTINUOUS FILLET WELD (OR SIZE EQUIVALENT TO THE MINIMUM THICKNESS OF CONNECTION MEMBERS IF LESS THAN 6mm) U.N.O. WELDED CONNECTIONS BETWEEN LATTICE & CHORDS ARE 6mm MIN. COMPLETE AND INCOMPLETE PENETRATION BUTT WELDS CLASS SP U.N.O.
- BOLT TYPES AND DESIGNATIONS WHERE USED ARE AS FOLLOWS:
4.6/S COMMERCIAL BOLTS TO AS1111 SNUG TIGHTENED 8.8/S HIGH STRENGTH STRUCTURAL ASSEMBLY (BOLTS, NUTS AND HARDENED WASHERS) TO AS1252 BOLT TIGHTENED ONLY FOR ALL MAST SECTIONS U.N.O.
M16 HIGH STRENGTH (8.8/S) BOLTS USED TYPICALLY IN ALL CONNECTIONS U.N.O. NOT WITHSTANDING THIS, NO STEEL-TO-STEEL CONNECTIONS ASSEMBLED WITH LESS THAN 27 M16 (8.8/S) BOLTS U.N.O. U-BOLTS (4.6/S) USED FOR ANCILLARIES INSTALLATION U.N.O.
BOLT HOLES IN STEEL-TO-STEEL AND STEEL-TO-CONCRETE CONNECTIONS WITH BOLT DIAMETER +2mm AND +3mm RESPECTIVELY. BASE PLATES MUST HAVE A BOLT DIAMETER +6mm U.N.O.
ALL NUTS, BOLTS AND WASHERS ARE GALVANIZED U.N.O.
WELD MATERIAL REQUIRES A NOMINAL TENSILE STRENGTH OF 490MPa AS PER AS4100 AMENDMENT 1, 2012, TABLE 9.7.3.10(1).
- ALL WELDS REQUIRE CATEGORY 5P AS PER AS1554 PART 1 U.N.O. PART 3 U.N.O. PROTECTIVE SURFACE TREATMENT APPLIED TO STRUCTURAL STEELWORK AS FOLLOWS:
GENERAL MAST FINISH:
HOT-DIP GALVANIZE "HDG600" (AS2312) (AVERAGE 90 MICRON).
GUY ANCHOR BEAMS & ANCHOR RODS FINISH:
HOT-DIP GALVANIZE "HDG600" (AS2312) (AVERAGE 90 MICRON).
BLACK STEEL MAY BE USED WHERE ANCHOR BEAM IS ENCASED IN CONCRETE.

MAST GUY WIRE SPECIFICATIONS

- GUY WIRES: AS APPLICABLE
- Ø8.25 (7/2.75) G1320 TENSILE STRENGTH 1320 MPa PRE-TENSION 3.5 kN
 - Ø10 (19/2.00) G1320 TENSILE STRENGTH 1320 MPa PRE-TENSION 5 kN

MAST DESIGN LOADS

WIND REGION	AS5
TERRAIN CATEGORY	2
IMPORTANCE LEVEL (AS1170.0:2011)	1
TOPOGRAPHIC MULTIPLIER M_t	1.000
DIRECTIONAL MULTIPLIER M_d	1
CLIMATE CHANGE MULTIPLIER M_c	1
REGIONAL WIND SPEED V_r (m/s) (2)	38
SERVICE WIND V_s (m/s) (3)	27
DEPLOYMENT TYPE (4)	TEMPORARY
STRUCTURE SERVICE LIFE (5)	5 YEARS
MAST STEELWORK INFORMATION	
MAST HUB HEIGHT	160000
MAST HEIGHT	157700
STANDARD MAST SECTION HEIGHT (GL55)	2880
MAST BASE RL	465
MAST FOOTING & SOIL PROPERTIES	
SOIL ALLOWABLE BEARING CAPACITY (kPa)	100 kPa
DENSITY OF SOIL (kN/m ³)	17 kN/m ³
INTERNAL ANGLE OF FRICTION (DEGREES°)	30°
MAST FOUNDATION	BURIED ANCHOR
FOUNDATION DIMENSIONS (WxLxD)	1800x1800x800 UNDER FILL WITH 2.6m ² BLUE METAL & 630kg CEMENT

NOTES: (4)

- REGIONAL WIND SPEED FOR AS1170.0:2011 CALCULATIONS OF WIND PRESSURE IN ACCORDANCE WITH THE IMPORTANCE LEVEL, THE DESIGN WORKING LIFE IS CONSIDERED AS 5 YEARS FOR TEMPORARY MASTS AND 25 YEARS FOR PERMANENT MASTS. SERVICE WIND SPEED BASED ON CRITERION OF SERVICEABILITY OF COMMUNICATION TOWER. LOSS OF SIGNAL IN MICROWAVE RADIO LINKS. A 27 m/s WIND SPEED IS THE REFERENCE SPEED ANNOTATED IN AS3985-1994 ANNEX A AND OTHER INTERNATIONAL STANDARDS THAT REGULATES THIS TYPE OF STRUCTURAL DESIGN.
- AS DEFINED IN THE PROJECT SCOPE OF WORKS.
- CONCRETE ELEMENTS WITHOUT COMPROMISED TO STRUCTURAL INTEGRITY WITH STANDARD LEVEL OF MAINTENANCE.
- MAINTENANCE LOAD CONSIDERED AS 2 PERSONNEL AT A TIME OR EQUIVALENT. THE ULTIMATE SOIL CAPACITY IS TAKEN AS AT LEAST 1.5 TIMES THE REFERRED ALLOWABLE CAPACITY.

NOTES



119-425 QUARRY ROAD
MURWILLUMBAH, 2484, NSW
admin@artowers.com.au
australianradotowers.com

THIS DOCUMENT AND ALL INTELLECTUAL PROPERTY ASSOCIATED ARE PROPERTY OF ART GROUP. ANY REUSE OR REPRODUCTION OF THIS DOCUMENT WITHOUT THE WRITTEN APPROVAL OF ART GROUP IS PROHIBITED.
© 2022-2023



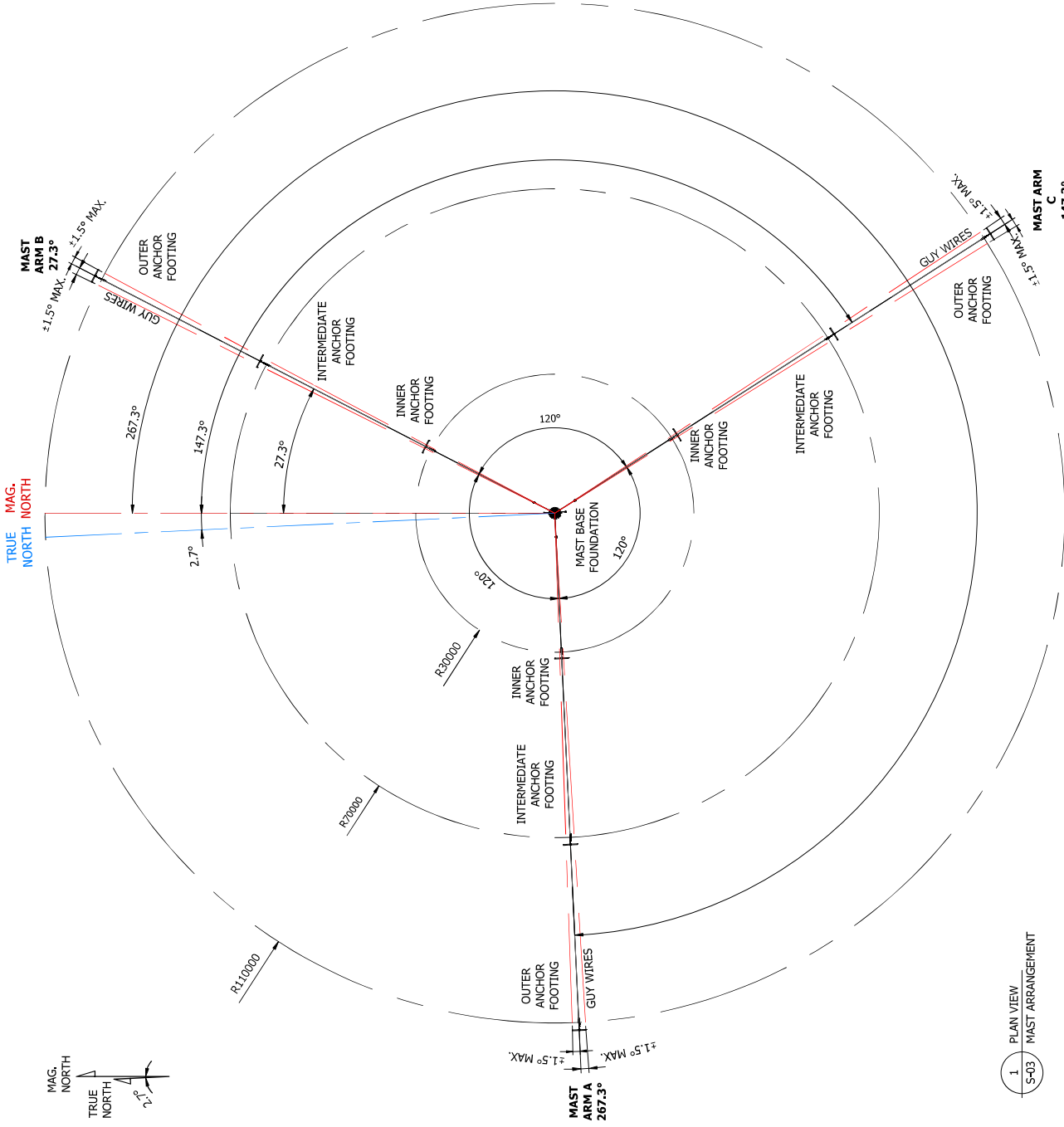
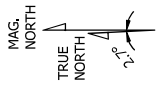
PROJECT
WGEH, EUCLA, WA
WGEH03 160M(NOM), MET MAST
GL55-36 GUYED LATTICE MAST
TEMPORARY DEPLOYMENT

SHEET TITLE
GENERAL NOTES

FOR CONSTRUCTION

SCALE PLOTTED AT A3	THIRD ANGLE PROJECTION
DRAWN	CHECKED
CG	HY
APPROVED	LG
COORDINATED	LG
DRAWING NUMBER	SHEET
ART-22439-DRG-0001	2 / 10
ISSUE	00

NOTES



1 PLAN VIEW
S-03 MAST ARRANGEMENT

Dr Haydar Yasar Fakhri
PROF. MAST CONSULTANT
Chartered Professional Engineer
Membership No. 38329
383-10109/2023

REV	DESCRIPTION	DATE
00	ISSUED FOR CONSTRUCTION	10/05/23



119-125 QUARRY ROAD
MURWILLUMBAH, 2484, NSW
(02) 6672 6200
admin@artowers.com.au
australianradotowers.com

THIS DOCUMENT AND ALL INTELLECTUAL PROPERTY ASSOCIATED ARE PROPERTY OF ART GROUP. ANY REUSE OR REPRODUCTION OF THIS DOCUMENT WITHOUT THE WRITTEN PERMISSION OF ART GROUP IS STRICTLY PROHIBITED. ANY REUSE OR REPRODUCTION OF THIS DOCUMENT WITHOUT THE WRITTEN PERMISSION OF ART GROUP IS STRICTLY PROHIBITED.

© 2022-2023

CLIENT



PROJECT
WGEH, EUCLA, WA
WGEH03 160M(NOM), MET MAST
GL55-36 GUYED LATTICE MAST
TEMPORARY DEPLOYMENT

SHEET TITLE
MAST PLAN

STATUS

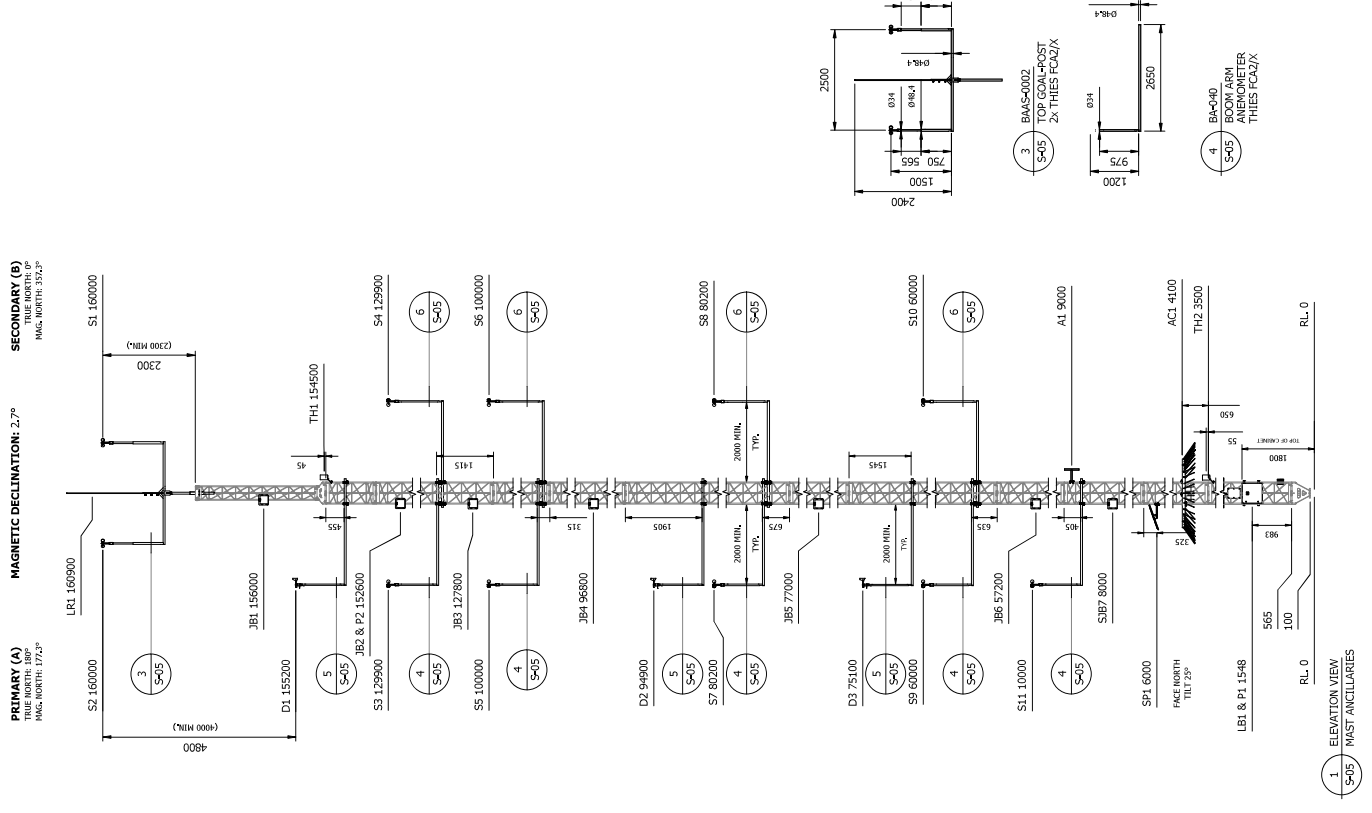
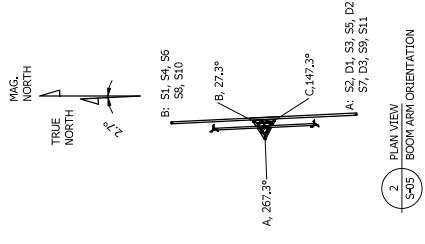
FOR CONSTRUCTION

SCALE PLOTTED AT A3 1:900	THIRD ANGLE PROJECTION	COORDINATED LG	ISSUE 00
DRAWN CG	CHECKED HY	APPROVED LG	SHEET 37/10
DRAWING NUMBER ART-22439-DRG-0001			ISSUE 00

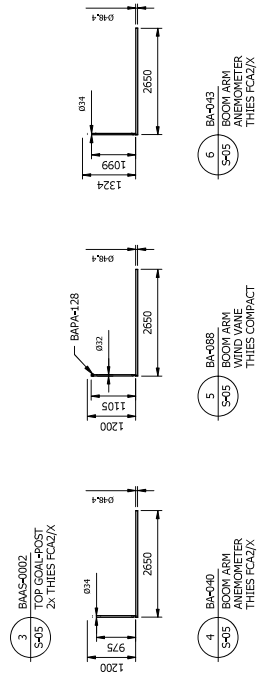


NOTES

MAST ANCILLARY LOADING			
MARK	DESCRIPTION	HEIGHT	SECTION
LR1	LIGHTNING ROD	160900	
S1	ANEMOMETER THIES FCA2	160000	TOP
S2	ANEMOMETER THIES FCA2	156000	
JB1	JUNCTION BOX	155200	55
D1	WIND VANE THIES FIRST CLASS	154500	54
TH1	TEMP. & HUMIDITY GALTEC MELA KPC		
JB2	JUNCTION BOX	152600	53
P2	PRESSURE SENSOR AMMONIT AB60 (INSIDE JB2)		
S3	ANEMOMETER THIES FCA2	129900	
S4	ANEMOMETER THIES FCA2	127800	45
JB3	JUNCTION BOX		
S5	ANEMOMETER THIES FCA2	100000	35
S6	ANEMOMETER THIES FCA2		
JB4	JUNCTION BOX	96800	34
D2	WIND VANE THIES FIRST CLASS	94900	33
S7	ANEMOMETER THIES FCA2	80200	28
S8	ANEMOMETER THIES FCA2		
JB5	JUNCTION BOX	77000	27
D3	WIND VANE THIES FIRST CLASS	75100	26
S9	ANEMOMETER THIES FCA2		
S10	ANEMOMETER THIES FCA2	60000	21
JB6	JUNCTION BOX	57200	20
S11	ANEMOMETER THIES FCA2	10000	
SB7	SMALL JUNCTION BOX	8000	3
A1	ANTENNA HUGHES 9502	9000	0.02
SP1	SOLAR PANEL SOLARWAT 50W	6000	0.33
AC1	ANTI CLIMB TO SUIT GL55 N28 MAST SECTION	4100	2
TH2	TEMP. & HUMIDITY GALTEC MELA KPC	3500	
LB1	CAMPBELL SCIENTIFIC DATA LOGGER CR1000X		
P1	PRESSURE SENSOR AMMONIT AB60 (INSIDE LB1)	1548	1
TOTAL ESA m ²			4.31



NOTES:
 1. STRUCTURAL ALLOWANCE FOR BUNDLED CABLES DOWN MAST LEG(S).
 2. ESA VALUES INCLUDE BOOM ARMS, BRACKETS AND INSTRUMENTS.



119-125 QUARRY ROAD
 MURWILLUMBAH, 2484, NSW
 (02) 6672 6200
 admin@artowers.com.au
 australiaradotowers.com

THIS DOCUMENT AND ALL INTELLECTUAL PROPERTY ASSOCIATED ARE PROPERTY OF ART GROUP. ANY REUSE OR REPRODUCTION OF THIS DOCUMENT WITHOUT THE WRITTEN PERMISSION OF ART GROUP IS STRICTLY PROHIBITED.
 © 2022-2023



PROJECT
 WGEH, EUCLA, WA
 WGEH03 160M(NOM), MET MAST
 GL55-36 GUYED LATTICE MAST
 TEMPORARY DEPLOYMENT

SHEET TITLE
 MAST ANCILLARY DETAILS

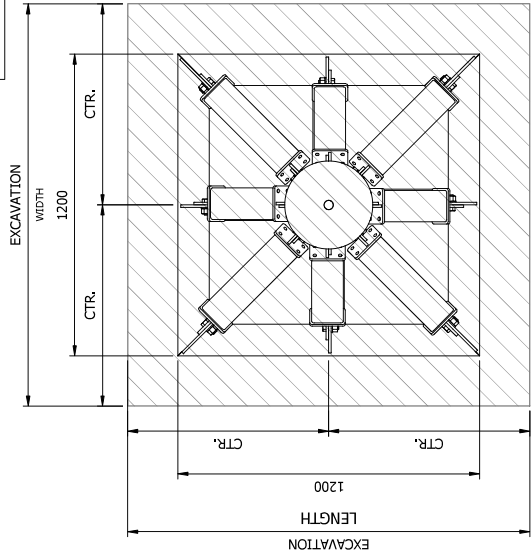
STATUS
FOR CONSTRUCTION

SCALE PLOTTED AT A3
 1:125
 THIRD ANGLE PROJECTION

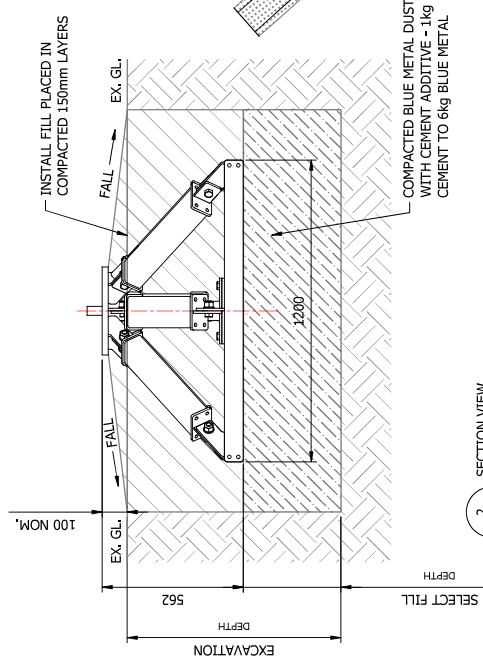
DRAWN CG LG
 CHECKED PFB LG
 APPROVED LG
 COORDINATED LG

DRAWING NUMBER
 ART-22439-DRG-0001
 SHEET
 5/10
 ISSUE
 00

MAST BASE FOUNDATION			
EXCAV. WIDTH	1800	EXCAV. DEPTH	1262
SELECT FILL DEPTH	800	BLUE METAL VOL. (m ³)	2.6
		CEMENT (kg)	630

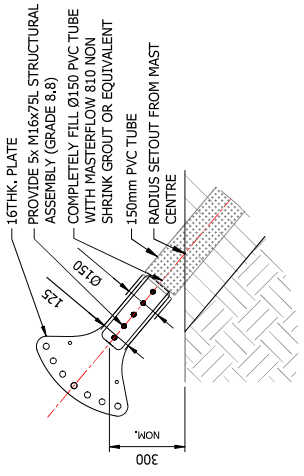


1 PLAN VIEW
S-06
BURIED STEEL MAST FOUNDATION
TYPICAL DETAIL

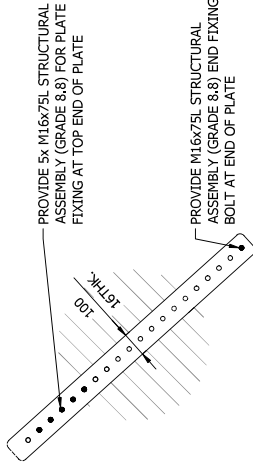


2 SECTION VIEW
S-06
BURIED STEEL MAST FOUNDATION
TYPICAL DETAIL

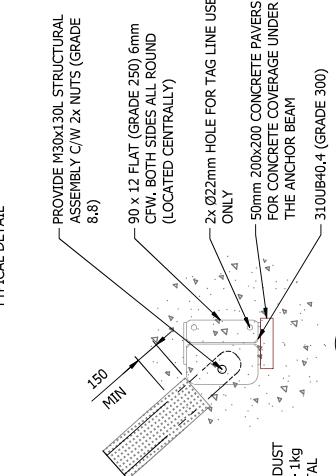
GUY ANCHOR FOOTING SCHEDULE																
FOOTING	RADIUS	No. GUYS	EXCAV. WIDTH	EXCAV. LENGTH	EXCAV. DEPTH	ANCHOR BEAM	CONC. DEPTH	CONC. VOL. PER ANCHOR	ANGLE	DIM A	DIM B	DIM C	GROUT WEIGHT (kg)	PIPE LENGTH	ANCHOR HEAD	TURNBUCKLE GALV. (GRADE P)
INNER	30000	5	800	3400	1600	3000	400	1.088m ³	48°	1357	400	2360	55	2000	7 HOLE	5/8"
INTERMEDIATE	70000	5	800	3400	2000	3000	400	1.088m ³	51°	1580	400	2780	68	2400	7 HOLE	5/8"
OUTER	110000	4	800	3400	2000	3000	400	1.088m ³	49°	1655	400	2840	69	2500	7 HOLE	5/8"



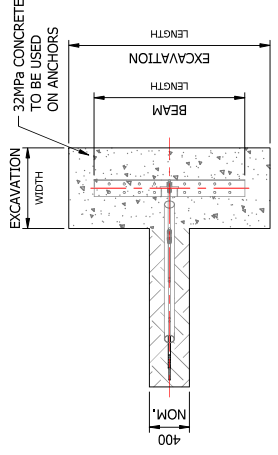
A DETAIL VIEW
S-06
ANCHOR HEAD ASSEMBLY
TYPICAL DETAIL



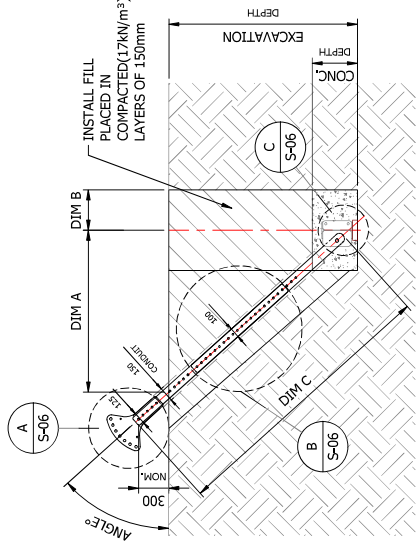
B DETAIL VIEW
S-06
ANCHOR ROD CONNECTION
PVC TUBE & EARTH NOT SHOWN FOR CLARITY
TYPICAL DETAIL



C DETAIL VIEW
S-06
ANCHOR BEAM ASSEMBLY
TYPICAL DETAIL



3 PLAN VIEW
S-06
GUY ANCHOR FOOTING
TYPICAL DETAIL



4 SECTION VIEW
S-06
GUY ANCHOR FOOTING
TYPICAL DETAIL

NOTES
1. REFER TO GENERAL NOTES (SHEET 2)
GUY ANCHOR, CONCRETE & COMPACTION SPECIFICATIONS.

Dr Haydn Viner
383-10105/2023

REV	DESCRIPTION	DATE
00	ISSUED FOR CONSTRUCTION	10/05/23



119-125 QUARRY ROAD
MURWILLUMBAH, 2484, NSW
(02) 6672 6200
admin@artowers.com.au
austrianradotowers.com

THIS DOCUMENT AND ALL INTELLECTUAL PROPERTY ASSOCIATED ARE PROPERTY OF ART GROUP. ANY REUSE OR REPRODUCTION OF THIS DOCUMENT WITHOUT THE WRITTEN PERMISSION OF ART GROUP IS STRICTLY PROHIBITED.

CLIENT
WESTERN GREEN ENERGY HUB



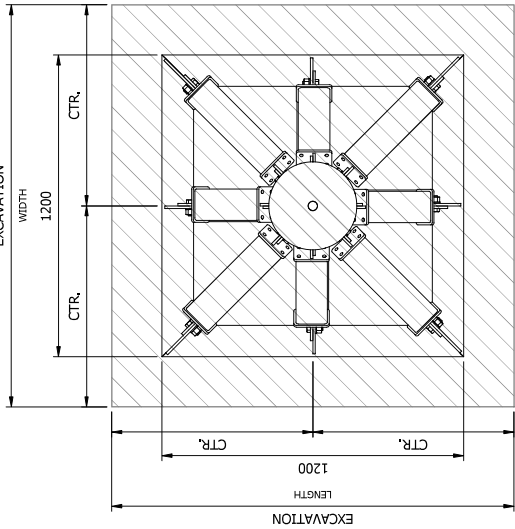
PROJECT
WGEH, EUCLA, WA
WGEH03 160M(NOM), MET MAST
GL55-36 GUYED LATTICE MAST
TEMPORARY DEPLOYMENT

SHEET TITLE
MAST FOOTING DETAILS

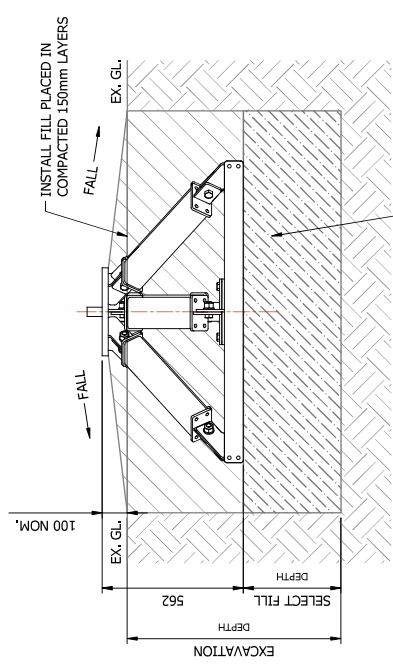
STATUS
FOR CONSTRUCTION

SCALE PLOTTED AT A3	THIRD ANGLE PROJECTION
DRAWN	CHECKED
CG	HY
APPROVED	LG
COORDINATED	LG
DRAWING NUMBER	SHEET
ART-22439-DRG-0001	6 / 10
	ISSUE
	00

MAST BASE FOUNDATION											
EXCAVATION WIDTH	1800	EXCAVATION LENGTH	1800	EXCAVATION DEPTH	1262	SELECT FILL DEPTH	800	BLUE METAL VOL. (m ³)	2.6m ³	CEMENT (kg)	630



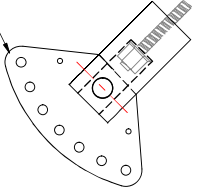
1 PLAN VIEW
S-07 BURIED STEEL MAST FOUNDATION
TYPICAL DETAIL



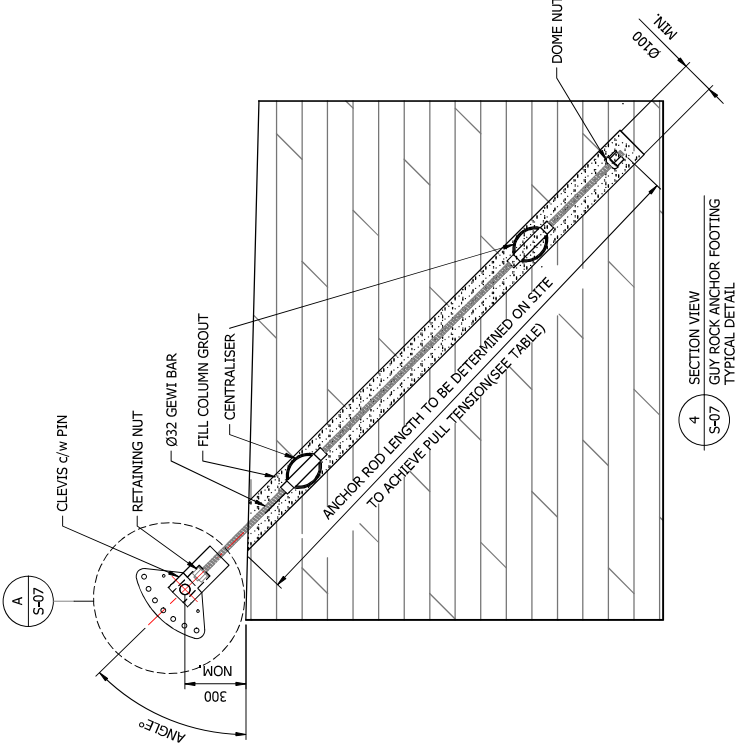
2 SECTION VIEW
S-07 BURIED STEEL MAST FOUNDATION
TYPICAL DETAIL

ROCK ANCHOR FOOTING SCHEDULE						
FOOTING	RADIUS	No. OF GUYS	ANGLE	REQUIRED REACTION (kN)	TEST LOAD (kN)	ANCHOR HEAD
INNER	30000	5	48°	64.7	97.1	7 HOLE
INTERMEDIATE	70000	5	51°	121.2	181.8	7 HOLE
OUTER	110000	4	49°	119.6	179.4	7 HOLE

ANPA-005Z - 7 HOLE ROCK ANCHOR HEAD - SUIT 7 & 8 INCH TURNBUCKLE



A DETAIL VIEW
S-07 ROCK ANCHOR FOOTING



4 SECTION VIEW
S-07 GUY ROCK ANCHOR FOOTING
TYPICAL DETAIL

NOTES

- ANCHOR ROCK SYSTEM USED : HULK EARTH ANCHOR CLEVIS AND ROD SYSTEM.
- ALL PILES TO BE SUBJECTED TO "STATIC PROOF" (NOT TO FAILURE) LOAD TESTING AS PER AS 2159 FORCE IN THE PILE AXIS DIRECTION
- TEST RESULTS NEED TO BE INFORMED/APPROVED PRIOR TO MAST ERECTION.
- ANCHOR DESIGN UNDERTAKEN BASED ON UNCONFIRMED SOIL TYPE AND PROPERTIES. ADVERSE SITUATIONS NEED TO BE INFORMED.

Dr Haydar Yasir Faleh
Chartered Professional Engineer
383-10/05/2023

REV	DESCRIPTION	DATE
00	ISSUED FOR CONSTRUCTION	10/05/23



119-125 QUARRY ROAD
MURWILLUMBAH, 2484, NSW
(02) 6672 6200
admin@artowers.com.au
australianradlowers.com

THIS DOCUMENT AND ALL INTELLECTUAL PROPERTY ASSOCIATED ARE PROPERTY OF ART GROUP. ANY REUSE OR REPRODUCTION OF THIS DOCUMENT WITHOUT THE WRITTEN PERMISSION OF ART GROUP IS STRICTLY PROHIBITED. CONTACT: 02 6672 6200

CLIENT



PROJECT
WGEH, EUCLA, WA
WGEH03 160M(NOM), MET MAST
GL55-36 GUYED LATTICE MAST
TEMPORARY DEPLOYMENT

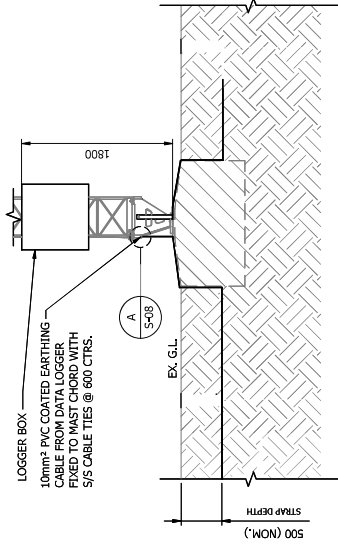
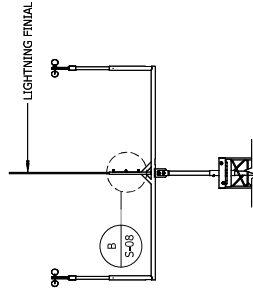
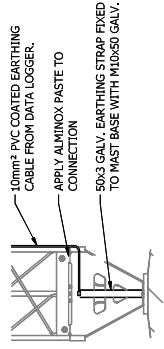
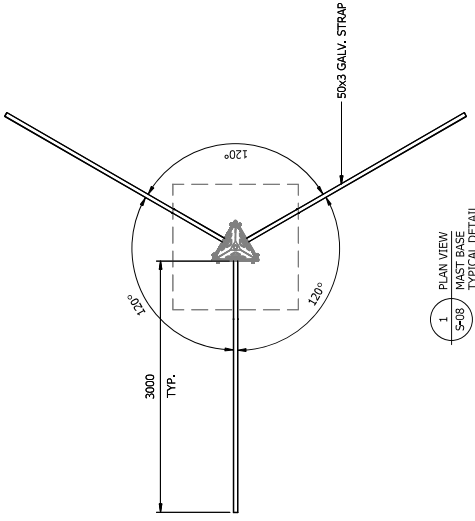
SHEET TITLE
MAST FOOTING DETAILS

STATUS
FOR CONSTRUCTION

SCALE PLOTTED AT A3	THIRD ANGLE PROJECTION	COORDINATED	ISSUE
N.T.S.		LG	7/10
DRAWN	CHECKED	APPROVED	SHEET
CG	HY	LG	00
DRAWING NUMBER			ART-22439-DRG-0001

NOTES

- REFER TO GENERAL NOTES (SHEET 2) FOR EARTHING SPECIFICATIONS.



119-125 QUARRY ROAD
MURWILLUMBAH, 2484, NSW
(02) 6672 6200
admin@artowers.com.au
australianradtowers.com

THIS DOCUMENT AND ALL INTELLECTUAL PROPERTY ASSOCIATED ARE PROPERTY OF ART GROUP. ANY REUSE OR REPRODUCTION OF THIS DOCUMENT WITHOUT THE WRITTEN PERMISSION OF ART GROUP IS STRICTLY PROHIBITED. ANY REQUEST TO COPY OR REPRODUCE THIS DOCUMENT REQUIRES WORK WITH ART GROUP FOR PERMISSION AND LICENSING.

© 2022-2023
CLIENT



PROJECT
WGEH, EUCLA, WA
WGEH03 160M(NOM), MET MAST
GL55-36 GUYED LATTICE MAST
TEMPORARY DEPLOYMENT

SHEET TITLE
EARTHING DETAILS

STATUS
FOR CONSTRUCTION

SCALE PLOTTED AT A3

THIRD ANGLE
PROJECTION

DRAWN
CG

CHECKED
HY

APPROVED
LG

COORDINATED
LG

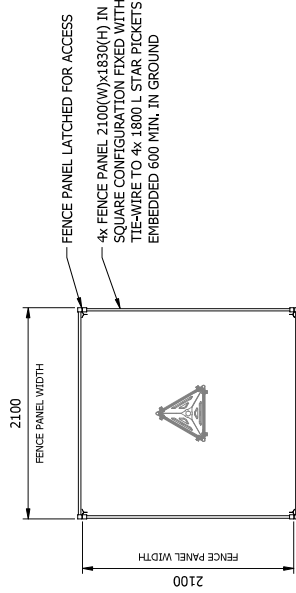
DRAWING NUMBER
ART-22439-DRG-0001

SHEET
8 / 10

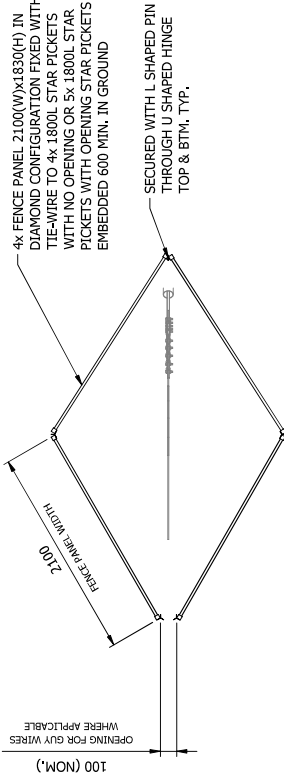
ISSUE
00

NOTES

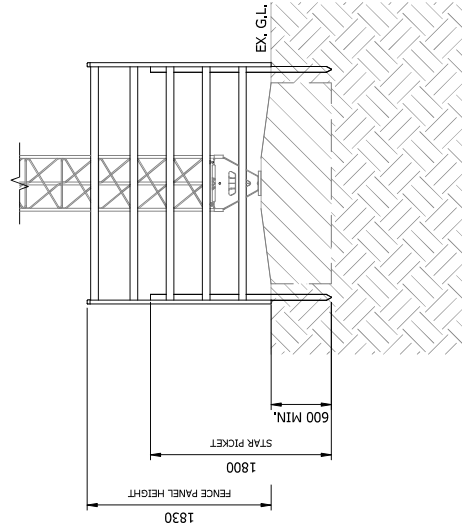
- NOTES:**
1. POSITION STAR PICKETS BEHIND FENCE PANELS.
 2. NO SHARP EDGES ON THE OUTSIDE OF FENCE PANELS.
 3. INNER ANCHOR - 4 PANELS & 5 STAR PICKETS (OPENING).
 4. OTHER ANCHOR(S) - 4 PANELS & 4 STAR PICKETS.
 5. FOOTINGS SHOWN FOR INDICATIVE PURPOSE ONLY REFER TO MAST FOOTING AND FOUNDATION DETAILS (SHEET 6).



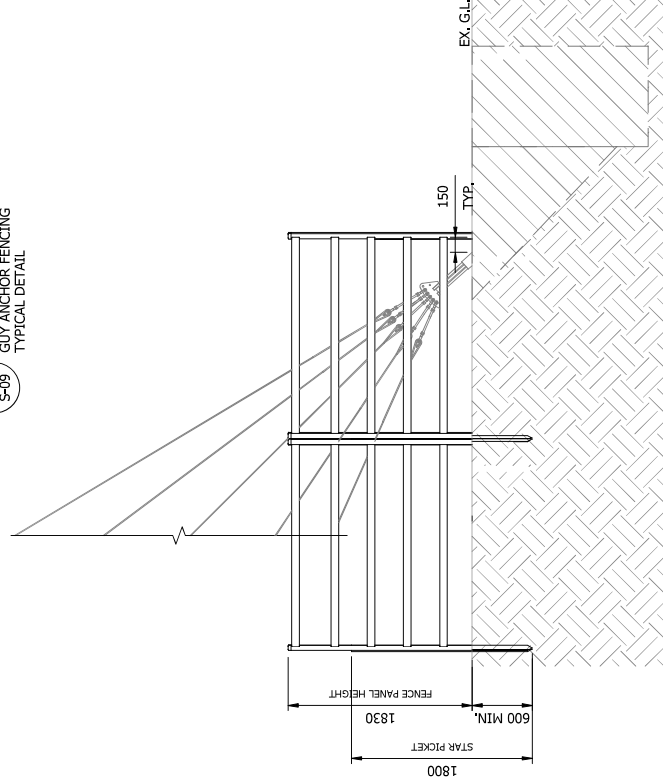
1 PLAN VIEW
S-09
MAST BASE FENCING
TYPICAL DETAIL



3 PLAN VIEW
S-09
GUY ANCHOR FENCING
TYPICAL DETAIL



2 SECTION VIEW
S-09
MAST BASE FENCING
TYPICAL DETAIL



4 SECTION VIEW
S-09
GUY ANCHOR FENCING
TYPICAL DETAIL



119-125 QUARRY ROAD
MURWILLUMBAH, 2484, NSW
(02) 6672 6200
admin@artowers.com.au
austliamradtowers.com

THIS DOCUMENT AND ALL INTELLECTUAL PROPERTY ASSOCIATED ARE PROPERTY OF ART TOWERS. IT IS TO BE USED ONLY FOR THE PROJECT AND SITE SPECIFICALLY IDENTIFIED. ART GROUP CAN REQUEST TO COPY OR REPRODUCE THIS DOCUMENT REQUIRES WRITTEN APPROVAL FROM ART GROUP. © 2022-2023

CLIENT



PROJECT
WGEH, EUCLA, WA
WGEH03 160M(NOM), MET MAST
GL55-36 GUYED LATTICE MAST
TEMPORARY DEPLOYMENT

SHEET TITLE
FENCING DETAILS

STATUS

FOR CONSTRUCTION

SCALE PLOTTED AT A3
N.T.S.

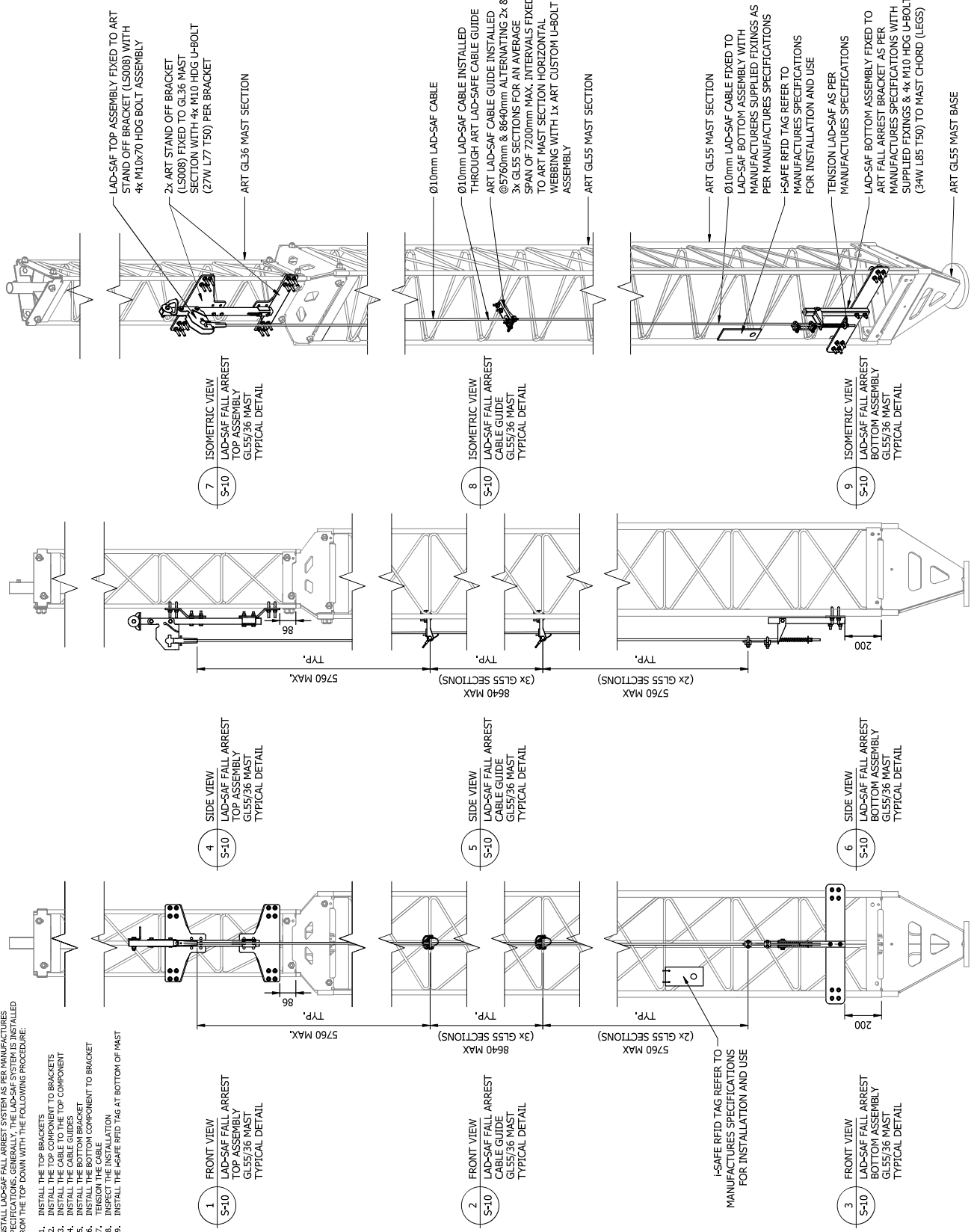
THIRD ANGLE PROJECTION
DRAWN
CG
CHECKED
HY
APPROVED
LG
COORDINATED
LG
DRAWING NUMBER
ART-22439-DRG-0001

SHEET
9 / 10
ISSUE
00

NOTES

LAD-SAF FALL ARREST SYSTEM INSTALLATION NOTES:
 INSTALL LAD-SAF FALL ARREST SYSTEM AS PER MANUFACTURERS SPECIFICATIONS. GENERALLY, THE LAD-SAF SYSTEM IS INSTALLED FROM THE TOP DOWN WITH THE FOLLOWING PROCEDURE:

1. INSTALL THE TOP BRACKETS
2. INSTALL THE TOP COMPONENT TO BRACKETS
3. INSTALL THE CABLE TO THE TOP COMPONENT
4. INSTALL THE BOTTOM BRACKET
5. INSTALL THE BOTTOM COMPONENT TO BRACKET
6. TENSION THE CABLE
7. INSPECT THE INSTALLATION
8. INSTALL THE I-SAFE RFID TAG AT BOTTOM OF MAST



1 S-10 FRONT VIEW LAD-SAF FALL ARREST TOP ASSEMBLY GL55/36 MAST TYPICAL DETAIL

4 S-10 SIDE VIEW LAD-SAF FALL ARREST TOP ASSEMBLY GL55/36 MAST TYPICAL DETAIL

7 S-10 ISOMETRIC VIEW LAD-SAF FALL ARREST TOP ASSEMBLY GL55/36 MAST TYPICAL DETAIL

2 S-10 FRONT VIEW LAD-SAF FALL ARREST CABLE GUIDE GL55/36 MAST TYPICAL DETAIL

5 S-10 SIDE VIEW LAD-SAF FALL ARREST CABLE GUIDE GL55/36 MAST TYPICAL DETAIL

8 S-10 ISOMETRIC VIEW LAD-SAF FALL ARREST CABLE GUIDE GL55/36 MAST TYPICAL DETAIL

3 S-10 FRONT VIEW LAD-SAF FALL ARREST BOTTOM ASSEMBLY GL55/36 MAST TYPICAL DETAIL

6 S-10 SIDE VIEW LAD-SAF FALL ARREST BOTTOM ASSEMBLY GL55/36 MAST TYPICAL DETAIL

9 S-10 ISOMETRIC VIEW LAD-SAF FALL ARREST BOTTOM ASSEMBLY GL55/36 MAST TYPICAL DETAIL

REV	DESCRIPTION	DATE
00	ISSUED FOR CONSTRUCTION	10/05/23

ART GROUP
 119-125 QUARRY ROAD
 MURWILLUMBAH, 2484, NSW
 (02) 6672 6200
 admin@artowers.com.au
 australianradotowers.com.au

THIS DOCUMENT AND ALL INTELLECTUAL PROPERTY ASSOCIATED ARE PROPERTY OF ART GROUP. ANY REUSE OR REPRODUCTION OF THIS DOCUMENT WITHOUT THE WRITTEN PERMISSION OF ART GROUP IS STRICTLY PROHIBITED. THIS DOCUMENT IS UNCLASSIFIED AND INTENDED FOR GENERAL USE.

CLIENT: WESTERN GREEN ENERGY HUB
 SCALE PLOTTED AT A3
 THIRD ANGLE PROJECTION
 N.T.S.

PROJECT	WGEH, EUCLA, WA
WGEH03 160M(NOM), MET MAST	GL55-36 GUYED LATTICE MAST
TEMPORARY DEPLOYMENT	
SHEET TITLE	FALL ARREST DETAILS
STATUS	FOR CONSTRUCTION
SCALE PLOTTED AT A3	THIRD ANGLE PROJECTION
N.T.S.	
DRAWN	CHECKED
CG	HY
LG	LG
CO-ORDINATED	APPROVED
LG	LG
DRAWING NUMBER	ART-22439-DRG-0001
SHEET	10/10
ISSUE	00